



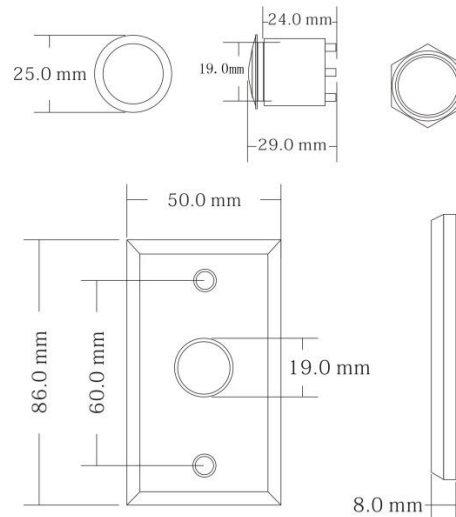
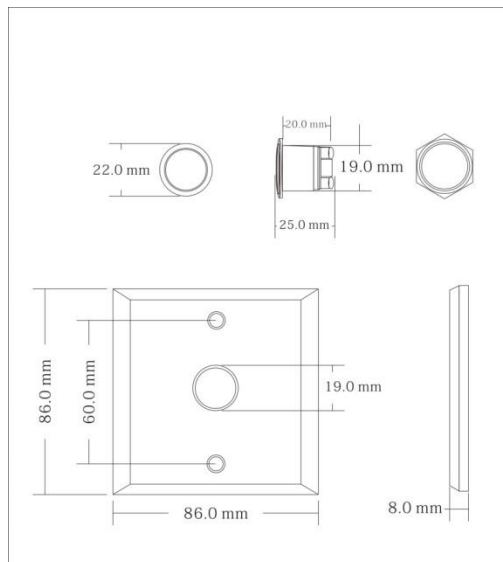
**A86D/A50D NO/NC Aluminum Alloy Exit Button**



**Product Introduction**

A86D/A50D series button is casted by aluminum alloy with sandblast finished. The dimension is 86(L)\*86(W)\*24(H) mm / 86(L)\*50(W)\*24(H) mm

**Parameter for Switch and Plate**



**Parameter for A86D/A50D Button**

parameter	Description
Dimension	A86D: 86L*86W*24H (mm) A50D: 86(L)*50(W)*24(H) mm
Standard Structure	Aluminum Panel, Steel Button
Panel Material	Aluminum Panel, Sandblast Finished



**CAMEL SECURITY**

**SHENZHEN CAMEL SECURITY CO., LTD**

Current	3A@36VDC Max
Output Contact	NO/NC/COM
Optional Accessories	M86/M50
Mechanical Life	500,000 tested
Operating Temperature	10 - 55°C (14-131F)
Operating Humidity	0-95% (non-condensing)
Weight	0.16kg / 0.1kg
Packing Quantity (PCS/CTN)	100pcs/ctn
Package Size	51*46*25cm
Gross Weight	16kg / 10kg

## **Advantage**

- 1, factory direct supply
- 2, CE & RoHS Certificated
- 3, OEM/ODM welcome
- 4, 3 years warranty
- 5, IP65 waterproof switch available